

NEW GUIDELINES FOR THE PREPARATION OF PAPERS SUBMITTED TO ICOLD CONGRESSES

June 2010

These instructions to authors concern manuscript preparation of papers to be included in the Proceedings of ICOLD Congresses.

The presentation in digital form of Congress papers makes it necessary to accommodate the previous Guidelines for Preparation of ICOLD Congress Papers. It is important to adhere strictly to the new Instructions in order to facilitate the final editing by Central Office. Anything less than full compliance may be detrimental to uniform presentation and require complete reformatting.

Rather than submitting a partially compliant copy, it is better to type the manuscript as plain text, showing the approximate positions for the illustrations. Central Office will take charge of the final formatting. Nevertheless we kindly ask you to

Abide by the rules for

- 1. Length: The total length of the paper, including title, summary, text, figures, photographs, references and acknowledgements must not exceed 20 pages.*
- 2. Page size: A4 size paper: 21 x 29.7 cm*
- 3. Figures, graphs, photos.... : format JPEG only*
- 4. Authors (on the 1st page): The author's first name should be followed by his surname.*

*Papers and Communications should be sent to Central Office by email or on CD Rom **accompanied by an A4 (21 x 29.7cm) paper print-out (one side of the paper only) as control.***

Please note that National Committees are responsible for the instructions being followed. Manuscripts not completely formatted or not submitted as plain unformatted text will be returned to National Committees.

Central Office

INTRODUCTION

All final manuscripts submitted to Congress must be prepared in MS Word. These Instructions to Authors are intended to improve the completion of the Proceedings. Final acceptance of papers will be based on the quality of the full paper.

1. GENERAL LAY-OUT

Note: the reference to ICOLD and to the Congress in the upper left corner of the first page is always in French.

1.1. LENGTH

The total length of the paper, including title, summary, text, figures, photographs, references and acknowledgements must not exceed 20 pages. The number of words in a printed page without drawings or diagrams is approximately 450.

1.2. FONT

All text must be MS Unicode Arial 11 point font size, with line spacing “exactly 14 pt”, and justified (straight left- and right-hand margins).

1.3. PAGE SIZE (A4 size paper: 21 x 29.7 cm) AND MARGINS

Page margins are as follows:

Top	3.1 cm	1.22 inch
Bottom	3.3 cm	1.30 inch
Left	3.5 cm	1.38 inch
Right	3.5 cm	1.38 inch

1.4. TITLE OF PAPER

The title should be MS Unicode Arial 11 point, bold. Use only UPPER CASE and center text. The title should be no longer than 100 characters, not counting spaces. It ends with an asterisk, to refer the reader to the footnote with the translation of the title.

There should be one single-spaced (“exactly” 14) line between the paper title and the first author’s name.

1.5. AUTHOR NAME(S) AND AFFILIATION

The author’s first name or initials followed by his or her surname should be

centred using MS Unicode Arial 11 point.

Under the author's name: author's affiliation (MS Unicode Arial 11 point, italics,) includes job position, organization, and country.

If there is more than one author, leave a blank line between each.

Leave three blank single-spaced ("exactly" 14 pt) lines between the (last) author's name and the heading of the first section of the paper.

2. MAIN TEXT

2.1. SPACING AND INDENTING

As mentioned, the base font is MS Unicode Arial 11 point, with "exactly" 14pt line spacing, justified (straight left- and right-hand margins).

Paragraphs in the main text should be indented 1.0 cm, but tables and figures should not be indented at all.

Leave three blank lines before and two blank lines after primary headings. Leave two blank lines before and after secondary headings, leave two blank lines before and one blank line after tertiary headings.

One line should be left blank before and after equations, figures and tables (including captions) and the main text.

2.2. SECTION NUMBERING

Within the paper, number all headings as follows:

1. PRIMARY HEADING (MS Unicode Arial 11 point, all capital letters, centered, 1cm tabulation between heading number and heading title).

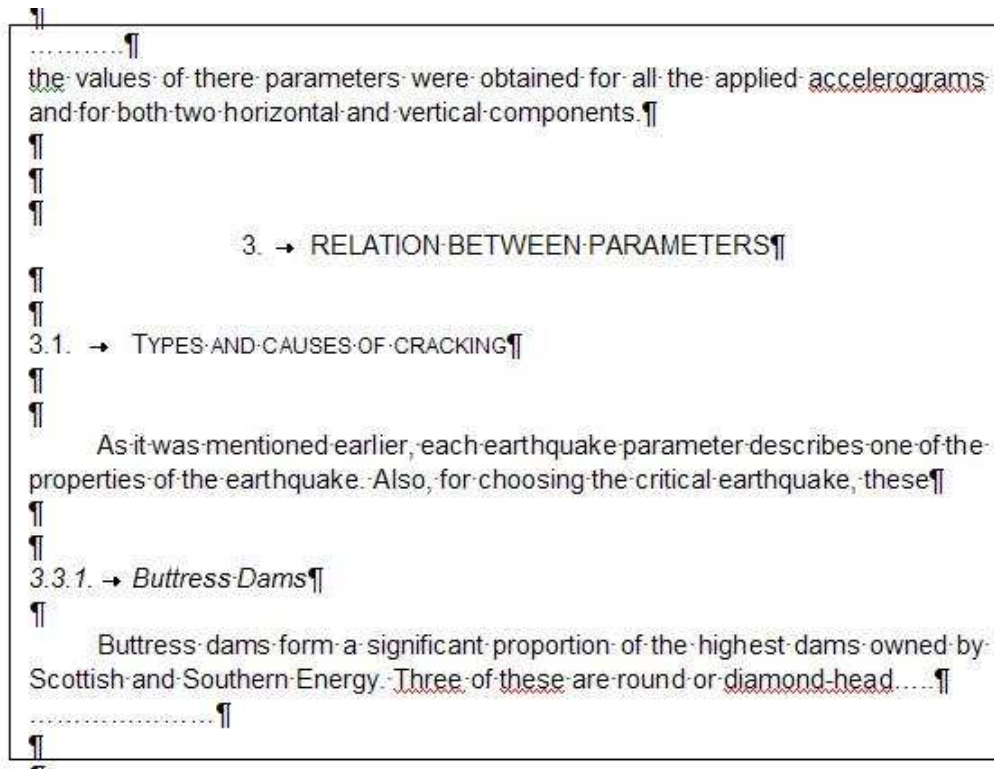
1.1. SECONDARY HEADING (MS Unicode Arial 11 point, small caps, justified, 1.5cm tabulation between number and title).

1.1.1. *Tertiary Heading* (MS Unicode Arial 11 point, italics, justified, 1.5cm tabulation between number and title).

Example for title, authors, primary heading and 1st section

<p>COMMISSION INTERNATIONALE DES GRANDS BARRAGES ----- VINGT-TROISIÈME CONGRÈS DES GRANDS BARRAGES Brasilia, juin 2009 -----</p>	<p>xi</p>
<p>¶ ¶ ¶ ¶ ¶</p>	
<p>LOW-RISK AND COST SOLUTION FOR CARUACHI SPILLWAY^(*) ¶ Celso CASTRO GOMEZ Head of Hydraulic Department, CVG EDELCA ¶ VENEZUELA</p>	
<p>¶ ¶ ¶</p>	
<p>1. → INTRODUCTION</p>	
<p>¶ The Caruachi Project (2196 MW, in operation, Fig. 1) is the third of the Lower Caroni Hydroelectric Development located south-east Venezuela, upstream of the confluence with the Orinoco river. With Guri (9715 MW in operation) 59 km upstream of Caruachi, Macagua (2968 MW in operation) 22 km downstream of Caruachi and Tocoma (2160 MW under construction) 16 km downstream of Guri, comprise the total capacity of 17 039 MW (Fig. 2). ¶</p>	
<p>¶ For the construction of the Caruachi main works, the Caroni river was diverted of their natural course in two stages. In the first stage, the river was diverted toward to the left bank, by means of 3000 m of cofferdams to allow the construction in the dry area of the main structures: spillway and bottom sluices.</p>	
<p>¶ _____</p>	
<p>(*) Solution à faible risque et au coût modéré pour l'évacuateur du barrage de Caruachi.</p>	

Example for primary, secondary and tertiary headings



2.3. FIGURES AND PHOTOGRAPHS

The illustrations are to be presented in the form of scanned photographs or drawings, under JPG format, with a resolution not smaller than 300ppm.

All figures and photographs may be embedded in the Word manuscript or sent as a separate file (in which case, their positions should be indicated in the main text). Number all illustrations (whether drawings or photographs) consecutively in the order of appearance and refer to them as "Fig.1", "Fig. 2 to 5", etc. They should appear in the manuscript as soon as possible after they are first mentioned in the text or at the end of the chapter. All illustrations should be centered.

Captions in both languages (MS Unicode Arial 11 point, centered) should be placed immediately below the illustration. One single spaced-line ("exactly" 14 pt) should be left between the figure (including caption) and the surrounding texts. The key in both languages - 2 columns - (MS Unicode Arial 11 point), Figures will appear as shown in Fig. 1.

Example for figures

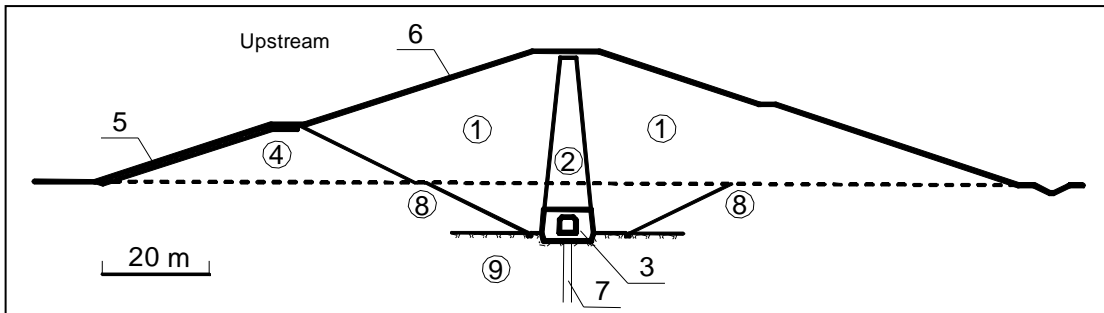


Fig. 1
The highest section of the Wiory dam
Section la plus haute du barrage de Wiory

1	Main embankment (sand)	1	<i>Corps du barrage (sable)</i>
2	Clay core	2	<i>Noyau en argile</i>
3	Grouting and inspection gallery	3	<i>Galerie d'injection et d'inspection</i>
4	Lower part of the dam fulfilling the temporary task of upstream cofferdam during the third stage of construction	4	<i>Partie inférieure du barrage créant le batardeau amont pendant la troisième étape de construction</i>
5	Riprap layer (thickness 70 cm) placed on geotextile	5	<i>Enrochement (70 cm d'épaisseur) posé sur géotextile</i>
6	Reinforced concrete slabs	6	<i>Dalles en béton armé</i>
7	Grouting curtain	7	<i>Voile d'injection</i>
8	Alluvium	8	<i>Alluvium</i>
9	Rock	9	<i>Rocher</i>

The construction works were executed in 3 stages:

XX
XXXXXXXXXXXXXXXXXX

2.4. TABLES

Tables should be typed in MS Unicode Arial 11 pt (or not smaller than 8 pt) with the title in MS Unicode Arial 11 pt, centered. Leave a blank line ("exactly" 14 pt) before the table.

Tables should be centered with respect to the page margins. All tables should be referred in the text as "Table 1", or "Tables 1 and 2"; and appear in the manuscript close to the first reference to them in the text. Footnotes to a table should be aligned with the left-hand border of the table. Figures will appear as shown in Table 2.

Example for Tables

No.	Frequency (Hz)	Damping (%)
1	1.46	1.32
2	2.27	1.21
3	2.44	1.12

(¹) xxxxxxxx

2.5. EQUATIONS

Equations are numbered in sequence between square brackets against the right-hand margin: [1], [2], etc. References to them in the text appear as “Eq.[1],” etc. Leave a blank line (“exactly” 14 pt) before and after the equatuion. For example:

$$I = I_{\max} - \prod_i^n (I_{\max} - I_i) / (I_{\max} - I_{\min})^{n-1} \quad [1]$$

Make sure the base font for the equation is 10 pt. MS Word “Equation Editor” tool should be used for writing all equations.

2.6. FOOTNOTES

Footnotes should be in MS Unicode Arial 10 pt, italics.

2.7. HEADERS AND FOOTERS

There should be no headers. Do not number pages (this will be done in the final formatting).

2.8. UNITS

Units of measurement and abbreviations should conform to the International System (S.I.). Full stop (Anglo-Saxon usage) or comma (European usage) must be used as decimal signs only. Units of the country of origin may be added in brackets. Any special abbreviation should be accompanied by its extended form the first time it appears in the text. Use Arabic or Latin numbers.

2.9. ACKNOWLEDGEMENTS

Authors can include an acknowledgment section if they wish to acknowledge any help they may have received for their study in their paper. The section heading

is in same font and line spacing of the 1st level heading, but is centered and has no section number.

2.10. REFERENCES

References are identified in the text by numbers between square brackets. The list of references, showing author's name and title and date of publication should be placed at the end of the paper in the order they are mentioned in the main text. The heading of this section should use the same font, font size and spacing as primary level headings but centered on the page and not numbered. If several works by the same author are listed, they should be arranged in chronological order. MS Unicode Arial 11 pt should be used, with “exactly” 14 pt line spacing. Names of Journals, Proceedings and books should be in italics. All works cited should be numbered in the order they are mentioned in the text (see example below).

Example for References

REFERENCES	
[1]	IVASHCHENKO I.N., KIRDODA P.A. Assessment and selection of variants of hydraulic structures on multicriterial basis. <i>Gidrotekhnicheskoye Stroitelstvo</i> , 1991, № 10.
[2]	KINI R.L., RAIFA X. Decision making at numerous criteria of preference and substitution. <i>Radio and svjaz</i> , 1981.

2.11. SUMMARY AND KEY-WORDS

The Summary should be in both official languages (English and French), starting with the language used in the paper, followed by its translation. It forms the last section of the paper.

The font size of the Summary should be MS Unicode Arial 11 point, justified, line spacing “exactly” 14 pt; the heading (SUMMARY) should be all capital letters, and centered.

The Summary should be concise and complete in itself without reference to the text of the paper. It should state the general problem and objectives, summarize the results and main conclusions, and state general implications. The total extension of the Summary should be one or not than two printed pages long lives.

The Congress Proceedings will be published as a CD ROM that contains full manuscripts of papers and a printed volume that contains only the title and authors,

and the Summary of each paper. Therefore the main ideas, research methodology and the main results of the paper should appear in the Summary. No figures, equations or reference numbers should be used in Summary.

Keywords must be taken from the keywords list (see Annex D, Circular Letter 1814) and typed on a separate page. There is no point in using words not appearing in the list. Names of dams referred to in the paper should be included.

3. CLEARANCES AND COPYRIGHT

The author(s) is (are) responsible for obtaining written permission to profile the project or subject matter in their papers from any and all clients, owners or others who commissioned the work. ICOLD assumes proper permission has been obtained by author(s) and accepts no liability for the author(s) failing to do so.

If a figure, table or photograph has been published previously, it will be necessary for the author(s) either to obtain written approval from the original publisher; or refer clearly to the source of previously published material in the caption of the figure, table or photograph.